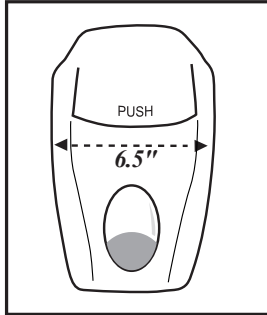
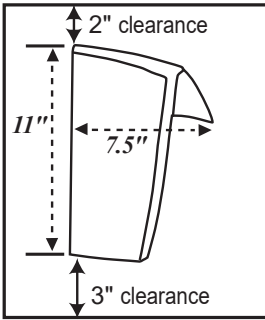
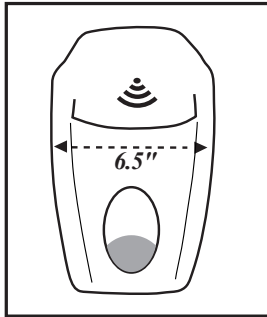
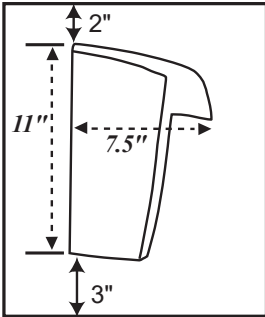


DISPENSER SPECS

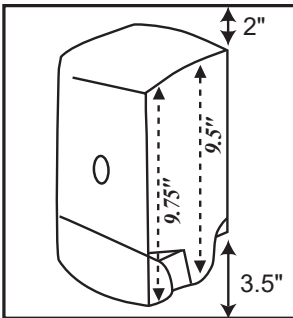
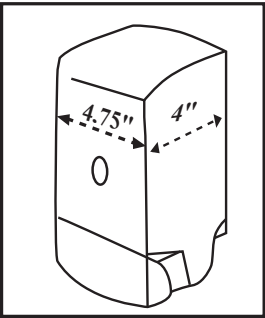
EZ Foam Manual



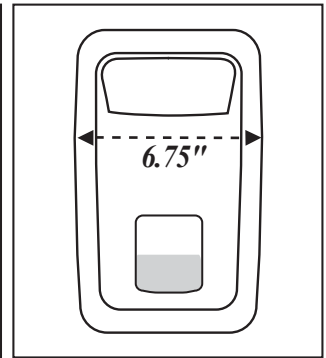
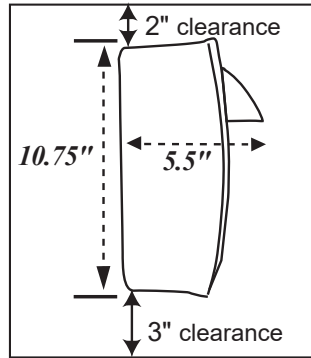
EZ Foam No Touch



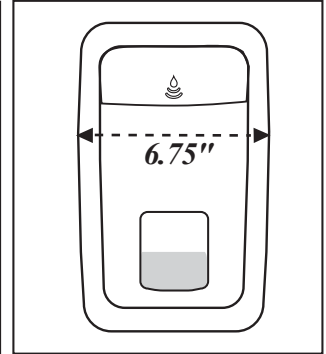
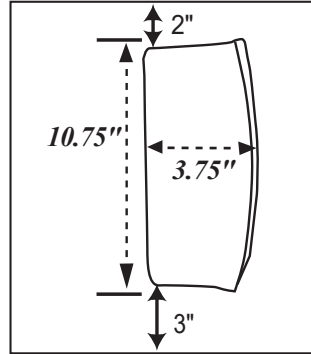
Soft & Silky 800mL BNB Dispenser



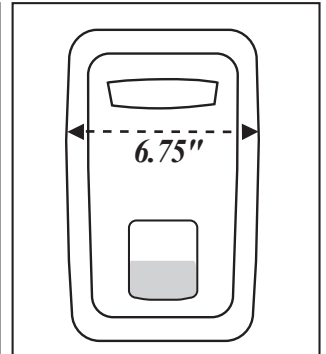
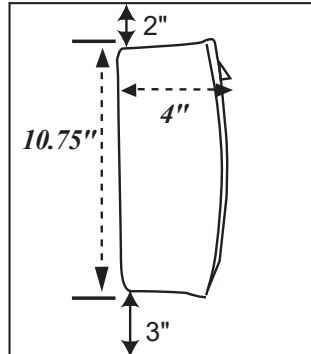
Designer Series Manual / No Touch (Enhanced) / DECO



Designer Series No Touch (Slim)



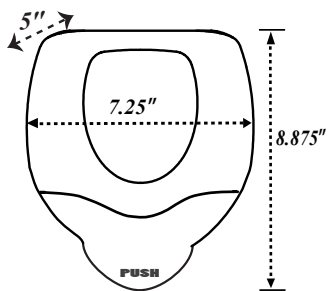
Designer Series Manual w/optional ADA Push Pad



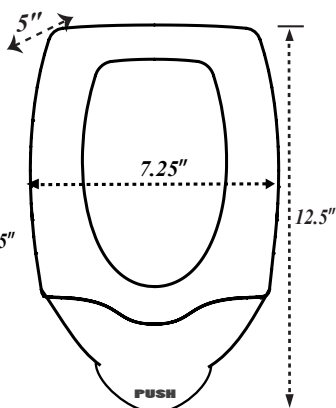
IMPORTANT: Dispensers open to the front. For ideal placement, dispensers should be mounted at least 3" above any countertop, fixture or obstruction and at least 2" below any upper cabinet, fixture or obstruction.

DURAVIEW

DuraView 2000 mL

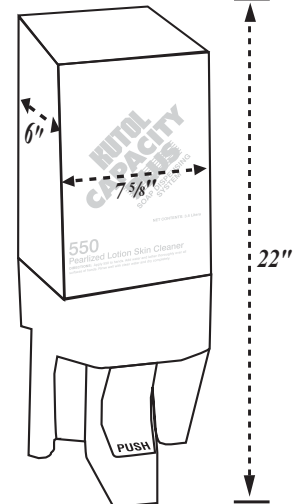


DuraView 4000 mL



CAPACITY PLUS

3.5 L



KUTOL

Hand Care Specialists 100 Partnership Way / Sharonville, OH 45241 / sales@kutol.com / (800) 543-4641 / www.kutol.com